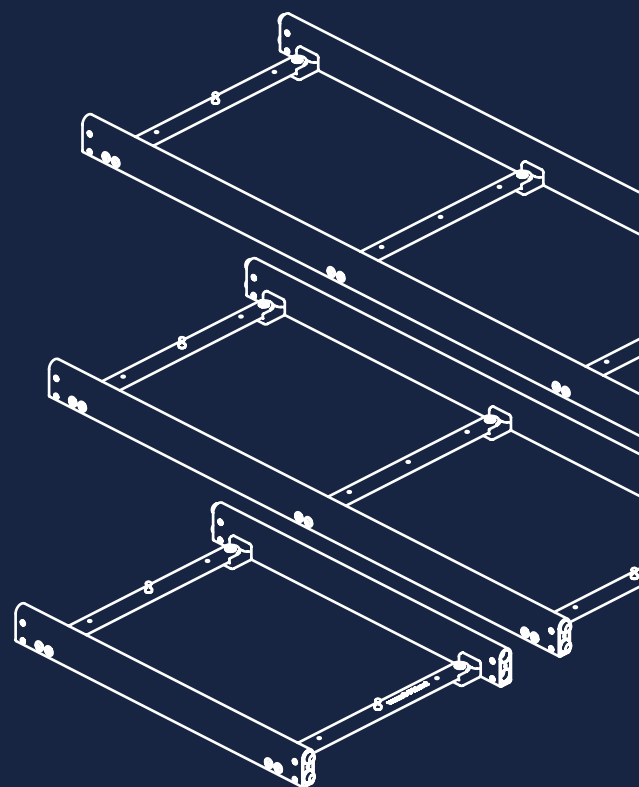
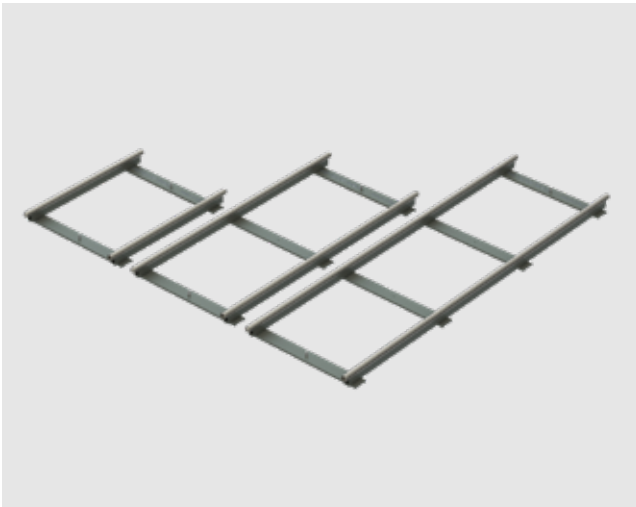


// TRACKS



// GF-TRACK



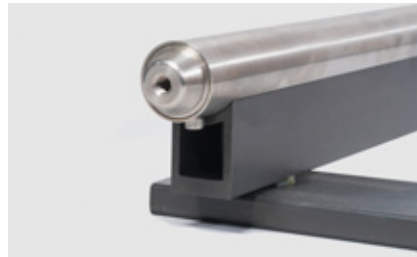
GF-Track width 62/100 cm 24.5/39" length 90/160/230 cm 3'5'/7'6"

FEATURES

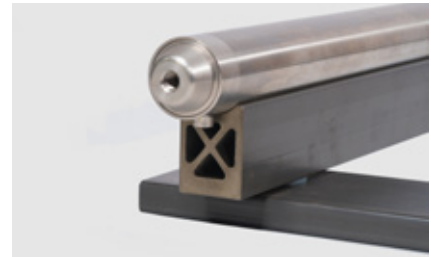
- A combination of high grade stainless steel tubing mounted on Standard or Strengthened hard coated aluminium extrusions
- For Dolly and Crane operation
- Stable under heavy load
- Foldable in either direction, straight track
- Exchangeable end sections, precision stainless steel joints
- High precision – machine calibrated, stainless steel tubes
- Compatible with GF-Steel Track
- TÜV Certified Safety Type Tested



Foldable and lightweight



Standard extrusion for Dolly track

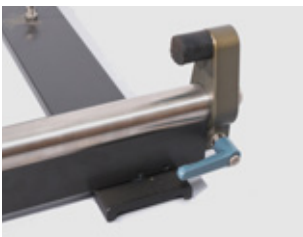


Strengthened extrusion for Crane track

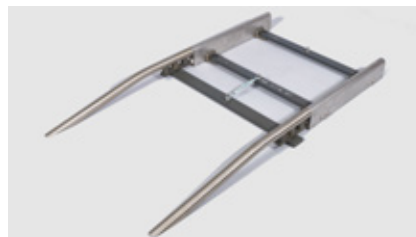


TR-30456 45° Curve [1/8] standard circle

The curve width is 62 cm / 24.5". Curves can be laid on both the left and right sides of the straight parts. The GF-Track standard circle has an inside diameter of 480 cm / 15' 8" and an outside diameter of 600 cm / 20'.



TR-30016 Dolly stopper



TR-30706 Starter ramp 62 cm/24.5"

ORDER NUMBERS

GF-Track / width 62 cm / 24.5"

TR-30906	Straight Track, length 90 cm / 3'
TR-31606	Straight Track, length 160 cm / 5'
TR-32306	Straight Track, length 230 cm / 7' 6"
TR-30456	45° Curve [1/8 Circle], Standard Circle

GF-Track / width 100 cm / 39"

TR-30901	Straight Track, length 90 cm / 3'
TR-31601	Straight Track, length 160 cm / 5'
TR-32301	Straight Track, length 230 cm / 7' 6"

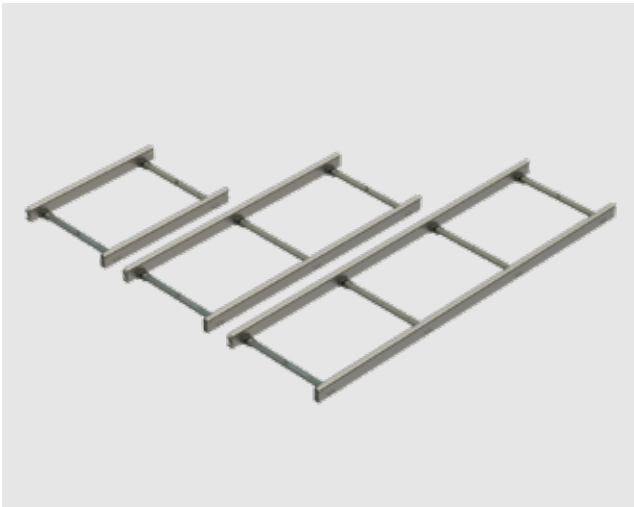
GF-Track / width 100 cm / 39" [strengthened]

TR-30901S	Straight Track, length 90 cm / 3'
TR-31601S	Straight Track, length 160 cm / 5'
TR-32301S	Straight Track, length 230 cm / 7' 6"

Track Accessories

TR-30011	Set of adapter to Master Track
TR-30014	Narrow gauge adapter [62 to 36 cm / 39" to 14.2"]
TR-30015	End adapter for 100 to 62 cm / 39" to 24.5"
TR-30016	Dolly stopper for GF-Track
TR-30706	Starter ramp 62 cm / 24.5"
TR-30701	Starter ramp 100 cm / 39"
TR-30010	Turnbuckle

// GF-STEEL TRACK



GF-Steel Track width 62/100 cm 24.5/39" length 90/160/230 cm 3'/5'/7'6"

FEATURES

- High grade stainless steel extrusion
- For Dolly and Crane operation
- Stable under heavy loads
- Foldable or fixed straight track
- Exchangeable end sections, precision stainless steel joints
- Compatible with GF-Track
- TÜV Certified Safety Type Tested



Foldable and compact for transport



Fully compatible with the GF-Track



Precision joints

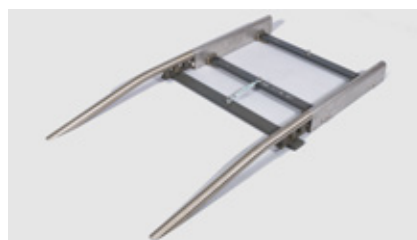


TR-40456 45° Curve [1/8] standard circle

The curve width is 62 cm / 24.5". Curves can be laid on both the left and right sides of the straight parts. The GF-Steel Track standard circle has an inside diameter of 480 cm / 15'8" and an outside diameter of 600 cm / 20'.



TR-40016 Dolly stopper



TR-30706 Starter ramp 62 cm / 24.5"

ORDER NUMBERS

GF-Steel Track / width 62 cm / 24.5"

TR-40906	Straight Track, length 90 cm / 3'
TR-41606	Straight Track, length 160 cm / 5'
TR-42306	Straight Track, length 230 cm / 7'6"
TR-40456	45° Curve [1/8 Circle], Standard Circle

GF-Steel Track / width 100 cm / 39"

TR-40901	Straight Track, length 90 cm / 3'
TR-41601	Straight Track, length 160 cm / 5'
TR-42301	Straight Track, length 230 cm / 7'6"

Track Accessories

TR-40014	Set of adapters to Master Track
TR-50015	End adapter for 100 to 62 cm / 39" to 24.5"
TR-40016	Dolly stopper for GF-Track
TR-30706	Starter ramp 62 cm / 24.5"
TR-30701	Starter ramp 100 cm / 39"
TR-30010	Turnbuckle



The TÜV Süddeutschland have safety type tested and approved the GF-Steel Track according to European guidelines for the scope of application under EC directives. This certification is based on state-of-the-art-technology.

