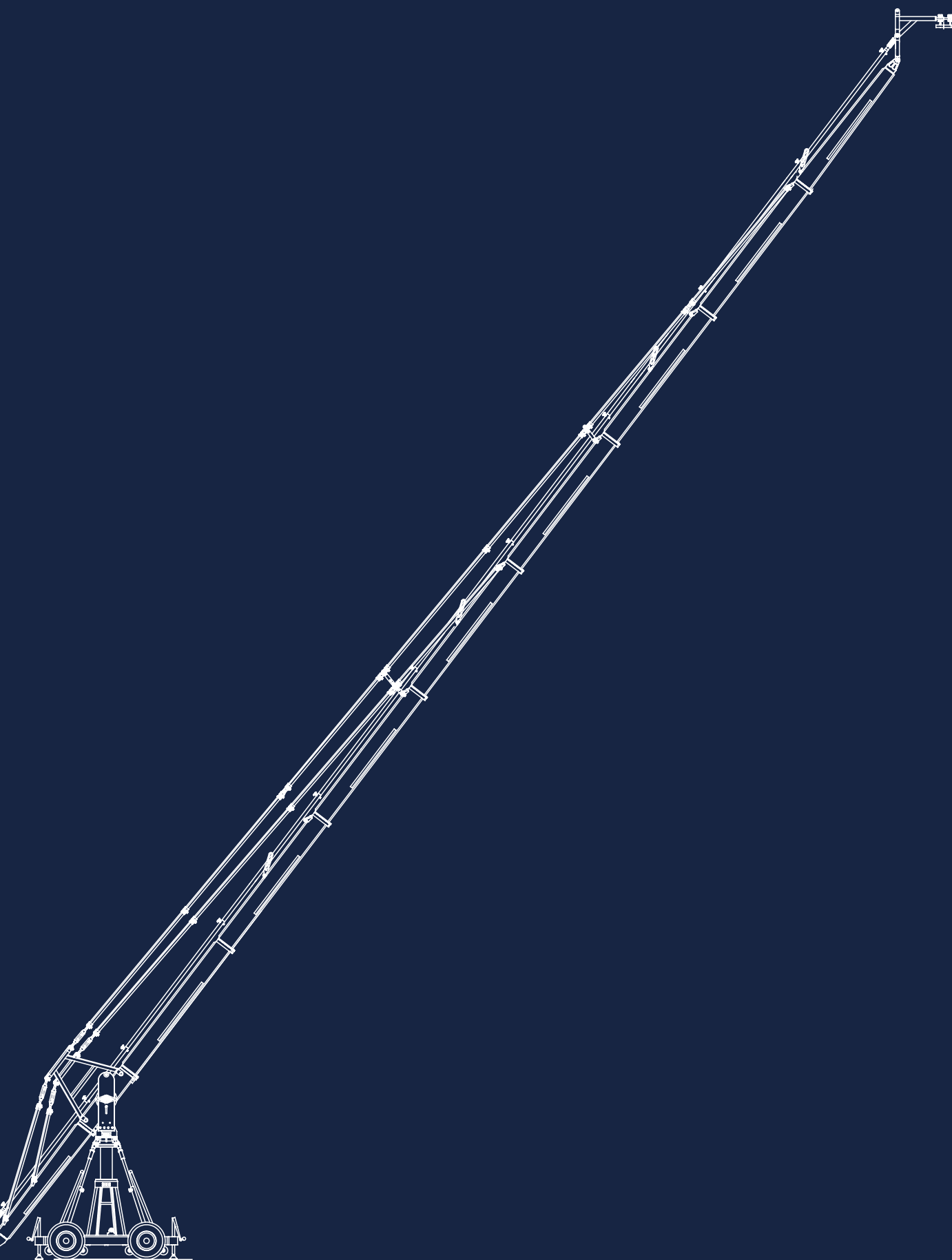


// GF-8



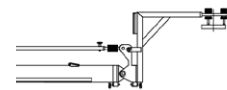
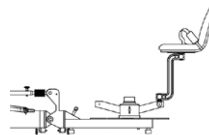
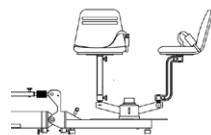
## // GF-8 / GF-8 XTEN



The GF-8 Crane System is the industry standard in modular, rideable and remote cranes. It is versatile, durable and provides unmatched ease of movement and steady crane moves. The uncomplicated and fast build make the GF-8 the perfect tool. By adding the Xten Kit, the standard GF-8 crane can be extended to a GF-8 Xten Crane providing extra height and lift range.

### FEATURES

- Ultra modular design
- Easy rigging assembly
- No special extension needed for front or back thanks to angle adjuster system
- Fast and logical set-up
- Lightweight aluminium parts
- Extremely stable arm
- Choice of 3 base dollies
- Bases double as Western or Track Dolly
- Surface hardened finish (Hart-Coat®)
- Dedicated transport trolley
- TÜV Certified and Safety Type Tested



	Platform – 2 persons	Platform – 1 person	Remote – 80 kg / 176 lbs	50 kg / 110 lbs
<b>GF-8</b>	4.5m / 14' 10"	5.8m / 18' 10"	7.2m / 23' 6"	8m / 26' 2"
<b>GF-8 Xten</b>	5.6m / 18' 6"	7.3m / 23' 10"	8.7m / 28' 6"	10.6m / 34' 6"

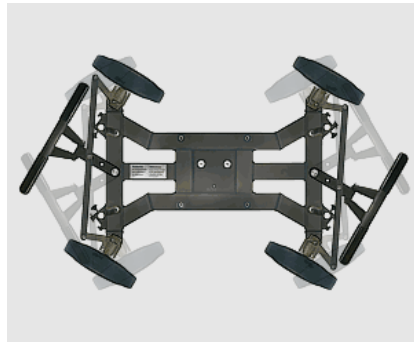
## BASE DOLLIES



### GF-8000

Standard base

- Single ended, corrected steering
- Hard rubber or pneumatic wheels
- 4 x 2 or 4 x 4 track wheels
- 62 cm / 24.5" track width
- Also adapts to 100 cm / 39" track
- Levelling legs and push bar



### GF-8000SS

Double ended Steering Base

- Independent steering at each end
- Hard rubber or pneumatic wheels
- 4 x 2 or 4 x 4 track wheels
- 62 cm / 24.5" track width
- Also adapts to 100 cm / 39" track
- Levelling legs and push bar



### GF-8000S

Connected Steering Base

- Single ended, 3 stage steering
- Front, rear and 4-wheel steering
- Hard rubber or pneumatic wheels
- 4 x 2 or 4 x 4 track wheels
- 62 cm / 24.5" track width
- Also adapts to 100 cm / 39" track

## TRANSPORT & WEIGHTS

All the GF-8 Crane arm components fit on a dedicated transport trolley. A custom designed trolley and carriers are also available for the counterweights.



### ORDER NUMBERS

<b>GF-8110</b>	Transport trolley for GF-8 Crane
<b>AL-1011</b>	Trolley for large weight carriers
<b>AL-1014</b>	Carrier for 7 counterweights
<b>AL-1010</b>	Carrier for 14 counterweights
<b>AL-1002</b>	Counterweight (8 kg / 17.6 lbs)
<b>AL-1003</b>	Counterweight (4 kg / 8.8 lbs)
<b>AL-1004</b>	Stainless steel weight shell (empty)
<b>AL-1005</b>	Counterweight (14 kg / 30 lbs)

## ACCESSORIES



**GF-8001** Base Dolly push bar (telescopic)



**GF-8321** Track wheel set Vulkollan® (4 pcs.)



**GF-16320** Track wheel set plastic (4 pcs.)



**GF-8317** Counterweight rod adapter incl. weight rod



**GF-8315** Adapter for GF-8 to Euro-adapter



**GF-8316** Adapter plate for GF-8 to Mitchell



**GF-8320** Euro-adapter plate for GF-8 mounting column



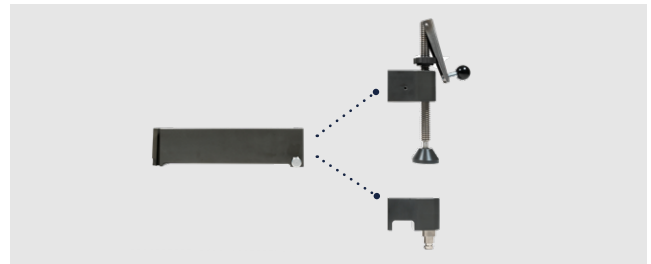
**GF-8340** Adapter for Combi-rig Tube / Euro-adapter to GF-8 Angle Adjuster



**GF-8319** Battery holder for GF-8 platform



**GF-8310** Levelling leg set (4 pcs.)



**GF-8310S** Levelling leg and track wheel adapter set for 100 cm width



**GF-8150**  
GF-8 split column (surcharge)



**GF-8322**  
Pneumatic wheel set (4 pcs.)

Further accessories for the GF-8 can be found under **SEATS & SEAT ARMS** in the **ACCESSORIES** section

