



TECHNICAL
SPECIFICATIONS.

GF-SECONDO DOLLY.





GF-SECONDO DOLLY. TECH SPECS.

MAX COLUMN PAYLOAD

250 kg / 550 lbs

MAX BASE DOLLY PAYLOAD

800 kg / 1,764 lbs

TOTAL TRANSPORT WEIGHT

150 kg / 330 lbs

— COLUMN TRANSPORT WEIGHT

80 kg / 176 lbs

— BASE DOLLY TRANSPORT WEIGHT

70 kg / 154 lbs

LIFT RANGE

72 to 142 cm / 28" to 56"

DIMENSIONS

90 x 79 x 72 cm / 35" x 31" x 28"

TRACK WIDTH

62 cm / 24.5" **OR** 36 cm / 14"

WIRELESS HCU RANGE

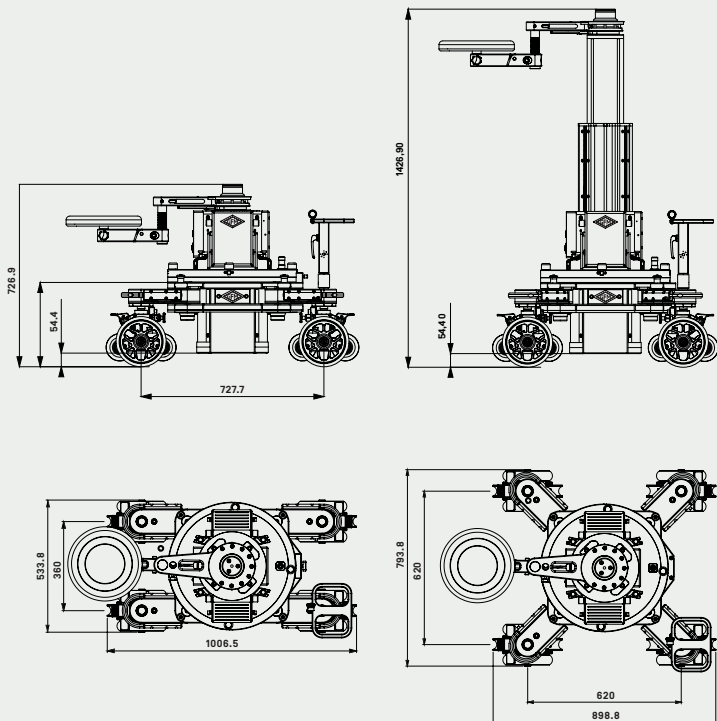
200 m / 650 ft

COLUMN MIN TO MAX

2.5 seconds



GF-SECONDO DOLLY. DIMENSIONS.



Measurements in millimetres (mm), unless otherwise specified.
Technical specifications are subject to change without notice.