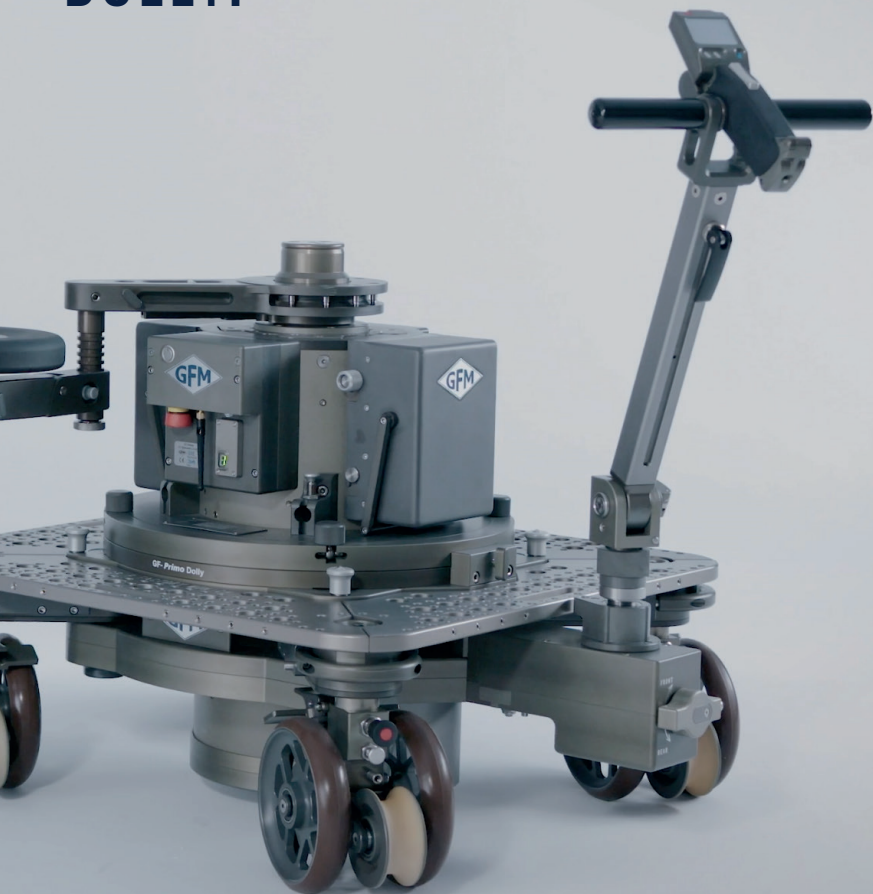




TECHNICAL  
SPECIFICATIONS.

**GF-PRIMO  
DOLLY.**





# GF-PRIMO DOLLY.

## TECH SPECS.

### **MAX COLUMN PAYLOAD**

250 kg / 550 lbs

### **MAX BASE DOLLY PAYLOAD**

800 kg / 1,764 lbs

### **TOTAL TRANSPORT WEIGHT**

160 kg / 350 lbs

### **— COLUMN TRANSPORT WEIGHT**

80 kg / 176 lbs

### **— BASE DOLLY TRANSPORT WEIGHT**

80 kg / 176 lbs

### **LIFT RANGE**

70 to 140 cm / 27" to 54"

### **DIMENSIONS**

101 x 79 x 72 cm / 42" x 31" x 28"

### **TRACK WIDTH**

62 cm / 24.5" **OR** 36 cm / 14"

### **WIRELESS HCU RANGE**

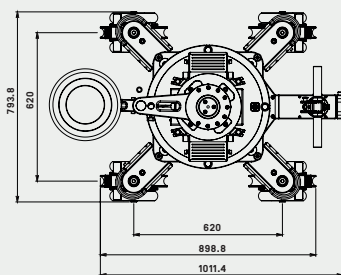
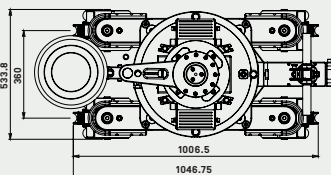
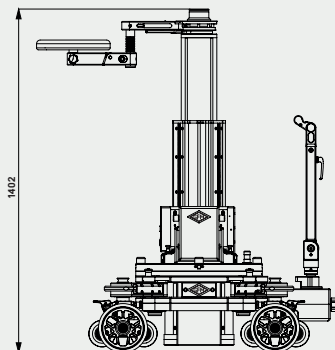
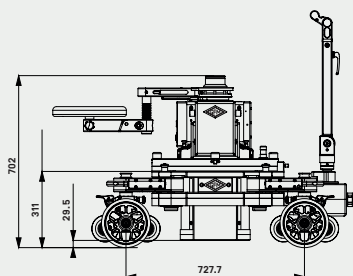
200 m / 650 ft

### **COLUMN MIN TO MAX**

2.5 seconds



# GF-PRIMO DOLLY. DIMENSIONS.



Measurements in millimetres (mm), unless otherwise specified.  
Technical specifications are subject to change without notice.